

Please, Answer the Following Questions:-

Q1-a) – What are types of Presses frame ?

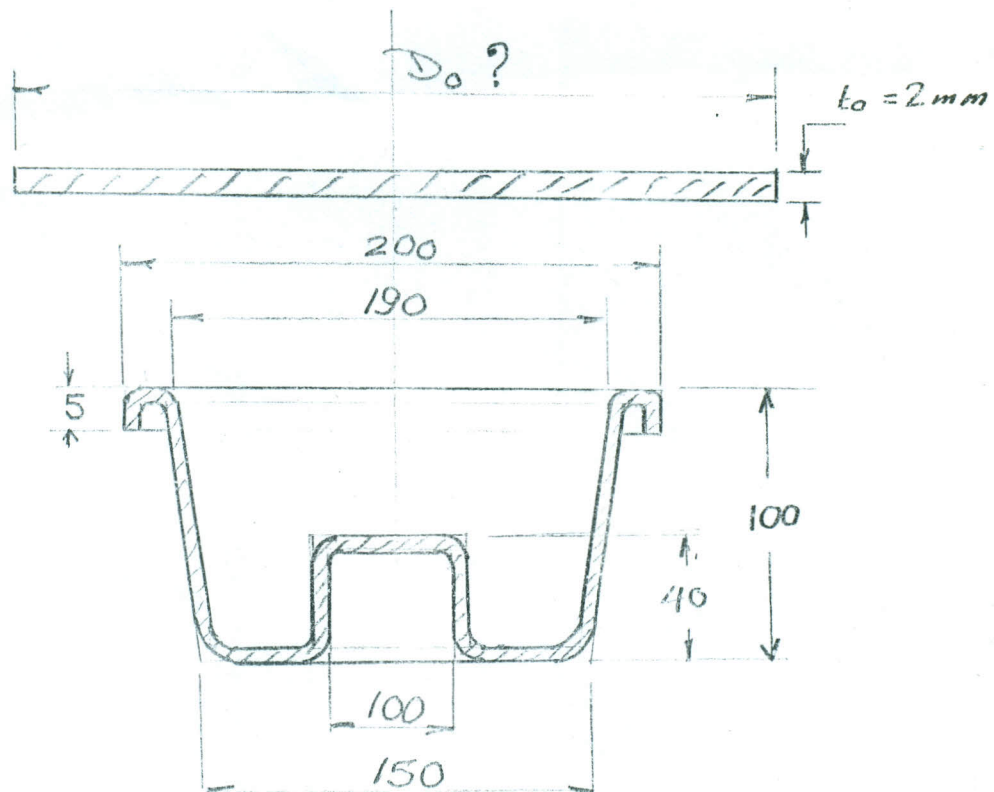
- b) Explain, the essential components of a hydropneumatic die cushion.
- c) What are effects of deviation from the sine law?

Q2-a) – What are Coils and Field Shapers?

- b) What are the different methods can be used to produce the part as shown in Fig.1 ? And choice the optimal method taking into account of : low cost, high productivity, and more accuracy.

Q3-a) – Make a carefully comparison between all different methods of Rubber-Pad Forming.

- b) What are Die Systems and Materials using of Explosive Forming ?



Aluminum alloy, 6061-0

Fig.1